



# hanit® PASTURE FENCE SYSTEM

Ingeniously simple and simply robust

Quality can be this convenient. This classic pasture fence is very easy to install: simply insert the crossbars (3 or 5 pieces) into the recesses of the posts, lock each with a screw and you're finished! In addition, the posts and boards are not only made of the hard-wearing, long-lasting hanit®, but they are also reinforced. A really tough fence. Corners and direction changes can be implemented by installing pasture fence connectors.

**Material:**

hanit® Recycled Plastic

**Detail Posts:**

26/20 x 11 x 230 cm

Bevelled on the upper end

**Detail End Post:**

18/15 x 11 x 230 cm

Bevelled on the upper end

**Detail Crossbar:**

4.2 x 12 x 250 cm

Radius R8 on both sides

**Detail 90° Connectors:**

10 x 11 x 11 cm

Drilled, radius R10

**Design:**

Posts and crossbars with internal steel reinforcement

Integrated recesses to accommodate the crossbars

90° connectors allow variations of 10°

End posts with 90° connector can be used as corner posts

**Advantages:**

Flexible installation

Splinter- and maintenance-free

Chew-resistant

90° connector can be used in any amount of layouts

**Accessories:**

Suitable fence gates

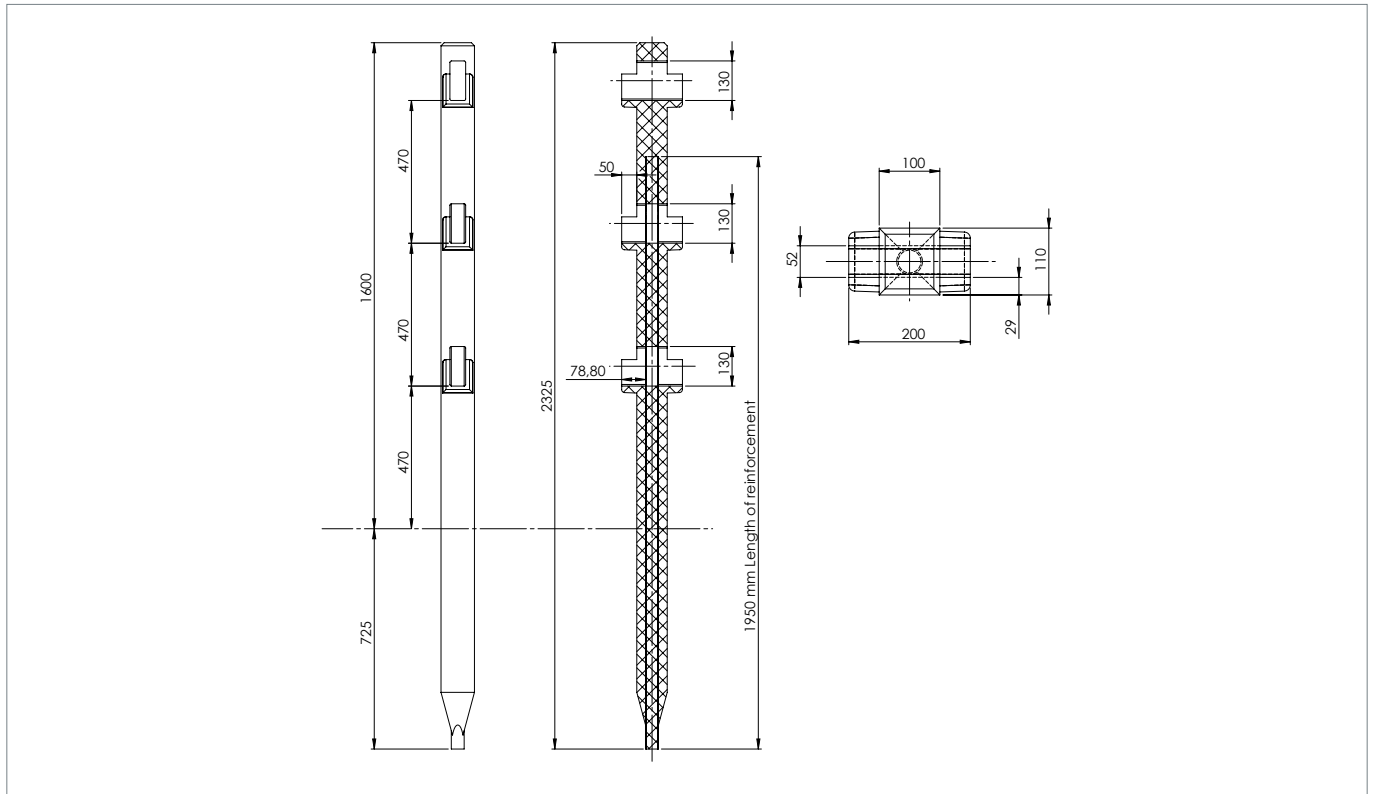


 Brown

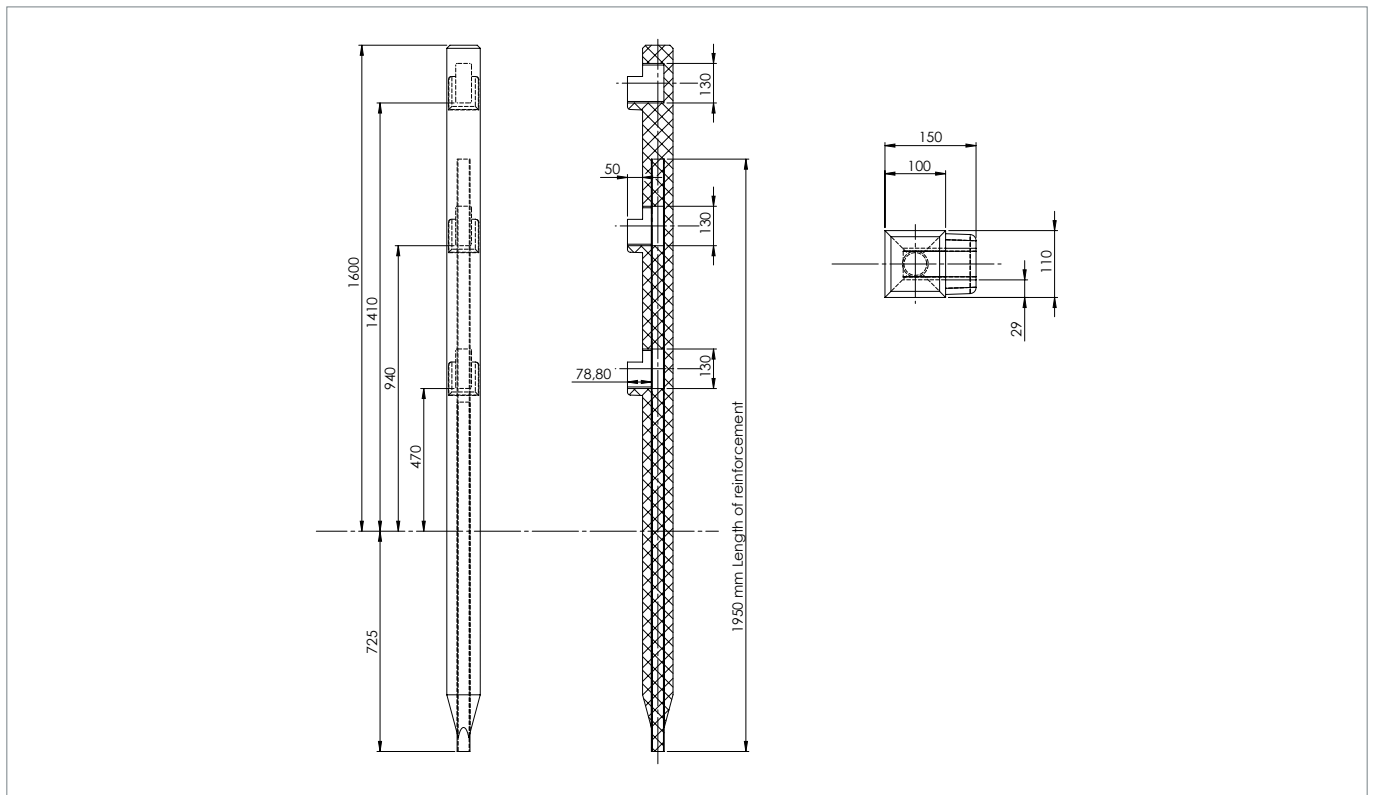
DBLKZSDEEN1218



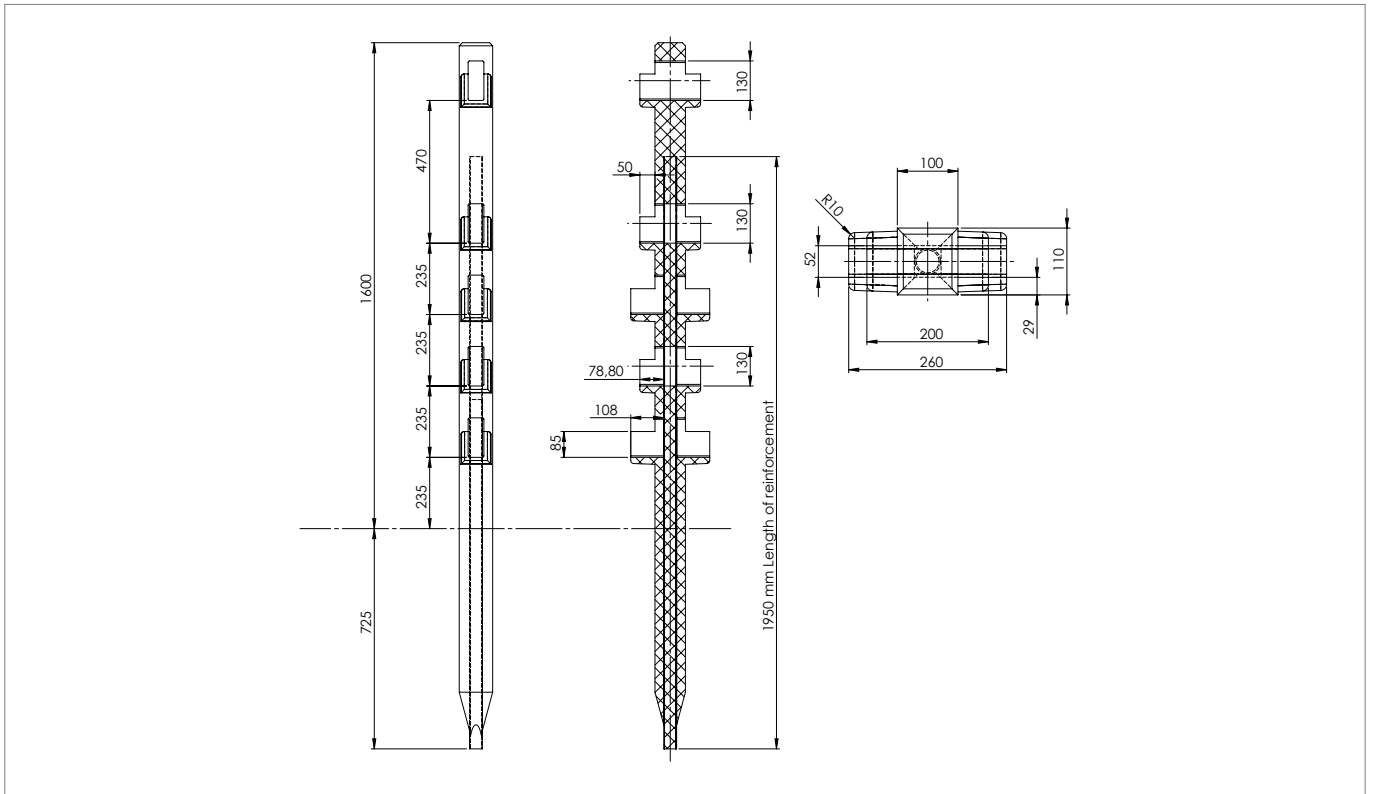
PASTURE POST - 3 CROSS BARS



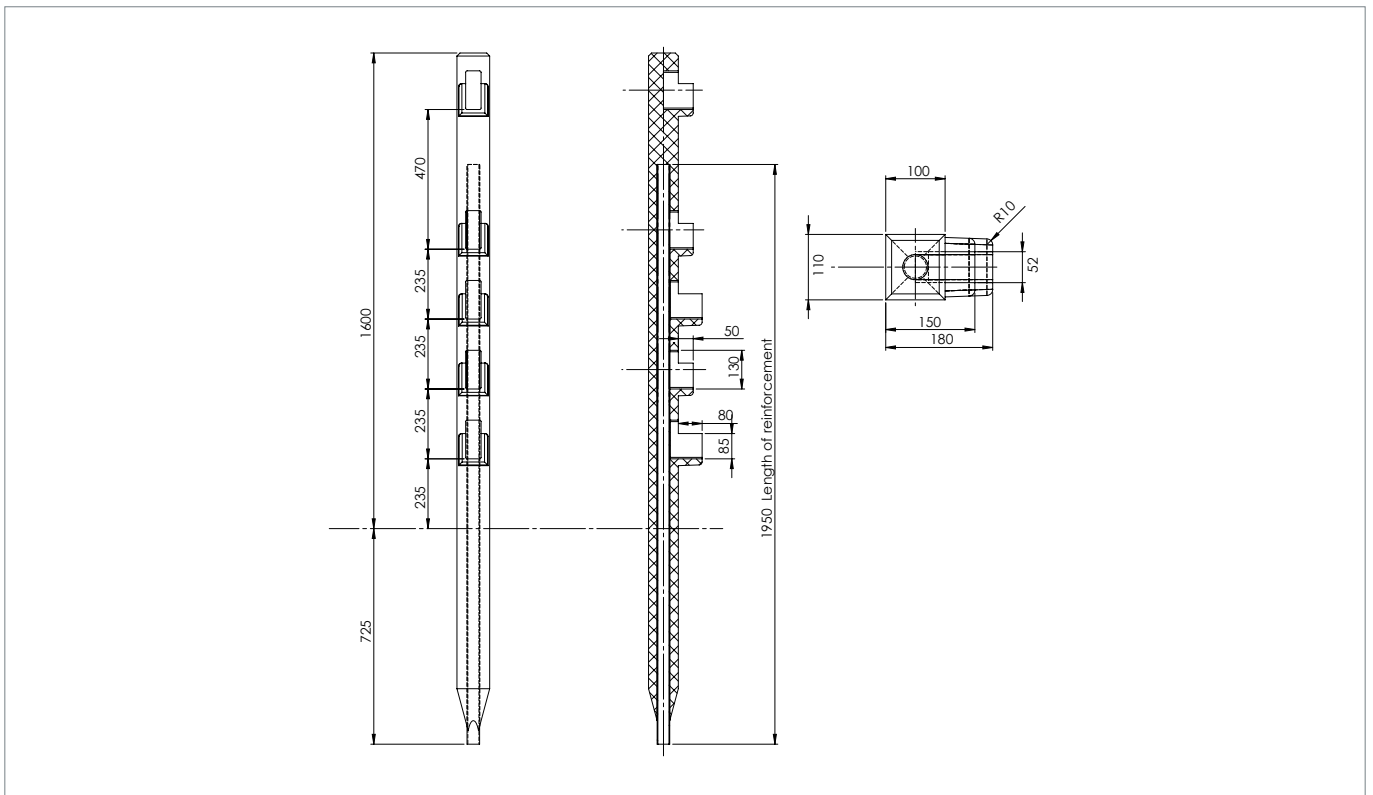
PASTURE ENDPOST - 3 CROSS BARS



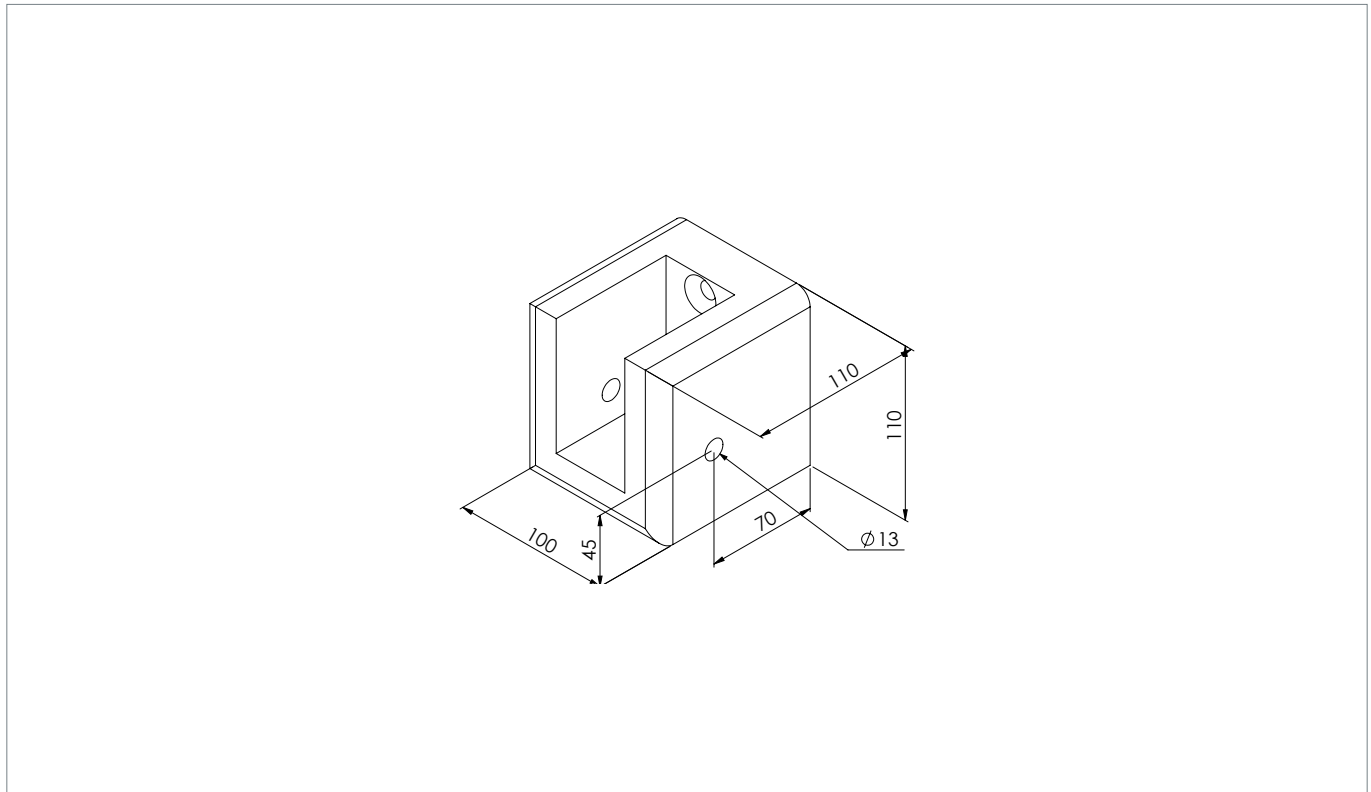
PASTURE POST - 5 CROSS BARS



PASTURE ENDPOST - 5 CROSS BARS



**CONNECTOR**



**SYSTEM COMPONENTS**

Connector right-angled 10.0 x 11.0 cm			
Colour	Length (cm)	Weight (approx. kg)	Order No
■ Brown	11.0	0.8	KEB 101 111

Crossbar 4.2 x 12.0 cm, reinforced			
Colour	Length (cm)	Weight (approx. kg)	Order No
■ Brown	250.0	14.2	BBE 4212 250

Endpost 11.0 x 10.0 cm (for 3 cross-bars), reinforced			
Colour	Length (cm)	Weight (approx. kg)	Order No
■ Brown	230.0	24.7	KEBA 10112 303

Endpost 11.0 x 10.0 cm (for 5 cross-bars), reinforced			
Colour	Length (cm)	Weight (approx. kg)	Order No
■ Brown	230.0	25.4	KEBA 10112 305

Post 11.0 x 10.0 cm (for 3 cross-bars), reinforced			
Colour	Length (cm)	Weight (approx. kg)	Order No
■ Brown	230.0	24.6	KPBA 10112 303-LA

Post 11.0 x 10.0 cm (for 5 cross-bars), reinforced			
Colour	Length (cm)	Weight (approx. kg)	Order No
■ Brown	230.0	26.3	KPBA 10112 305

Including assembly materials.

A diagram of a fence section showing a cross-section of a post and rail fence. Labels indicate: 'Length cross-bar' for the horizontal rail, 'Length posts' for the vertical post, 'Thickness' for the rail's thickness, and 'Width' for the post's width.

**FURTHER DOCUMENTS PLEASE SEE WWW.HANIT.DE**

- » Installation Recommendation
- » General material parameters
- » General processing guidelines
- » Data sheet of fence gates

